





# PORTA CABINS AND AFFORDABLE HOUSES

Acero manufactures and supplies Porta Cabins in all sizes, customized as per the requirements. Acero's Porta Cabins are carefully designed to be economical, strong, durable and easy to install.

Partitions and building accessories such as doors, windows, framed openings, etc. can be added to meet the specifications, please consult with an Acero Sales Engineer for more information.

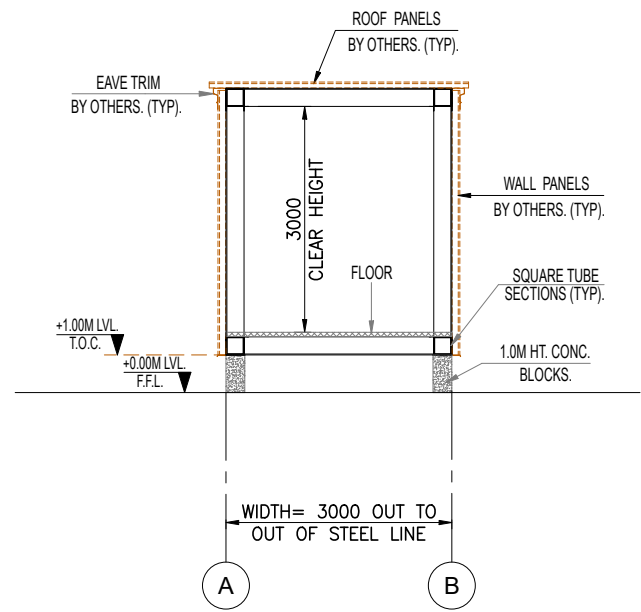
For international supply, the Porta Cabin is shipped in a knocked down condition (for more economical export transportation) to be assembled at site (may be dismantled and reassembled at any time). Acero provides comprehensive and straightforward erection drawings, with a step by step installation procedure clearly outlined on the drawings. Basic Porta Cabins are easily erected with a 2-3 man crew within a day or two without the need for any heavy equipment.

## ADVANTAGES OF PORTA CABINS

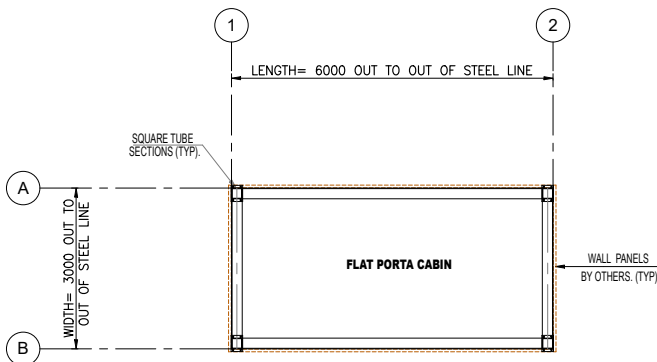
-  Time Saving
-  Flexibility
-  Cost Saving
-  Portability

## APPLICATIONS OF PORTA CABINS

- Accommodation Camps
- Modular Buildings
- Temporary Facilities
- Offices
- Commercial
- Affordable Houses



Porta cabin layout plan



Stackable porta cabins



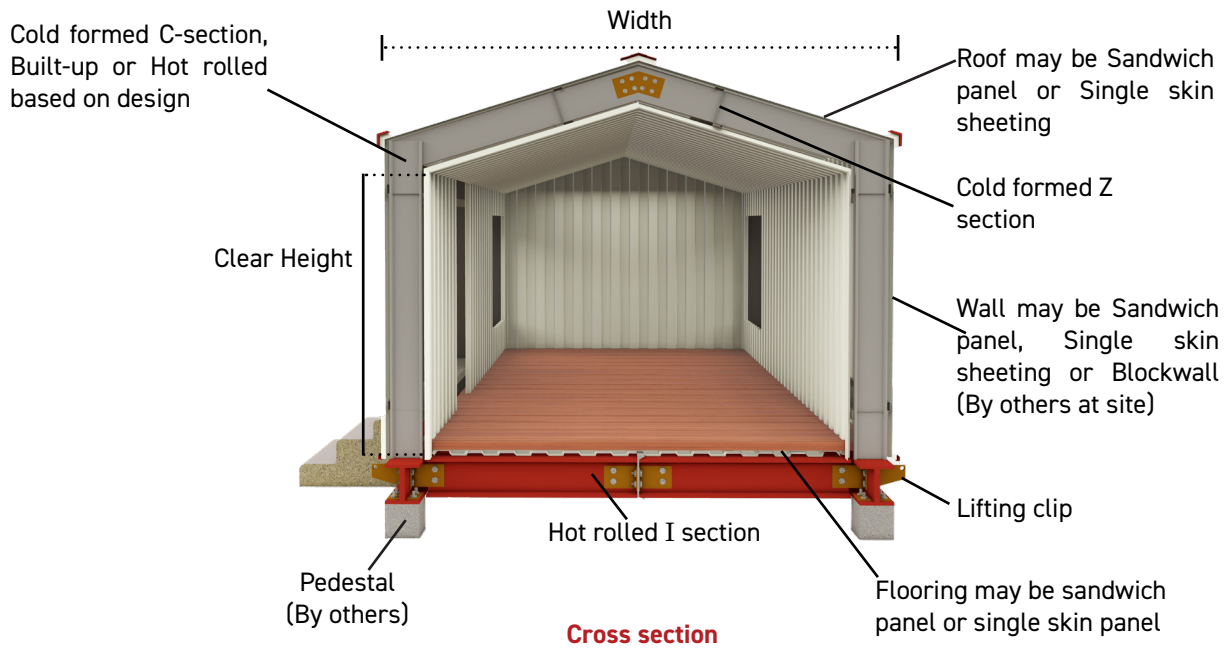
Porta cabin - flat roof

Send your enquiries to [sales@acero.ae](mailto:sales@acero.ae) to receive your customized offer including preliminary drawings, technical and commercial terms.

For local supply, the Porta Cabin may be supplied factory assembled (may be dismantled and reassembled at any time). The Acero Porta Cabin is available in single units or stackable and can be arranged vertically and/or horizontally (stackable arrangements available with staircases).

All primary and secondary building members are high strength sections and may be pre-galvanized, built-up or hot rolled, depending on the requirements and design. The roof sheeting may be single skin (with or without insulation) or sandwich panels. The wall cladding may be single skin (with or without insulation), sandwich panels or block wall (this is by others and is done on site).

Acero Standard Panels are Aluzinc coated steel in 0.5mm and 0.7mm thickness, standard colors or any other special color may be accommodated by referencing the RAL number or name.



Porta Cabins may come with a flat roof, pitched roof, mono slope roof or any other roof design that may be required.



**Porta cabin pitched roof**



**Porta cabin mono slope**

Send your enquiries to [sales@acero.ae](mailto:sales@acero.ae) to receive your customized offer including preliminary drawings, technical and commercial terms.

